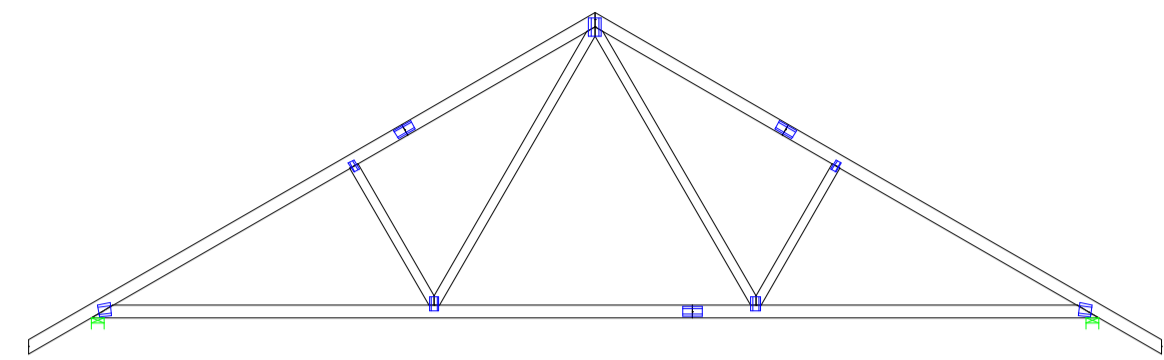
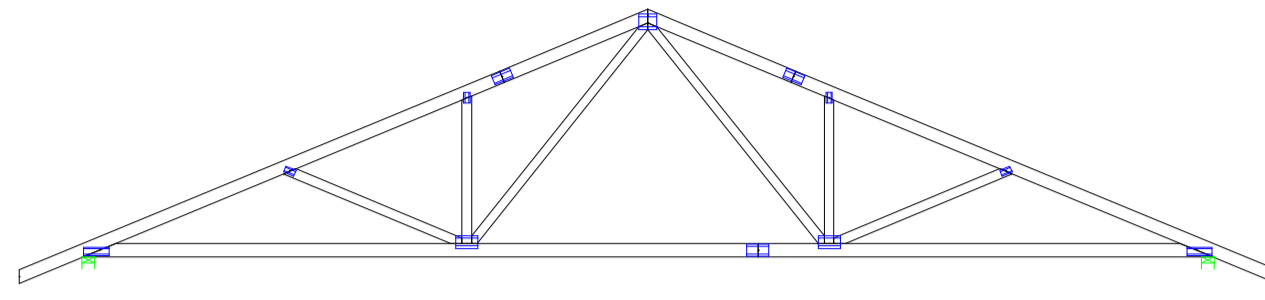


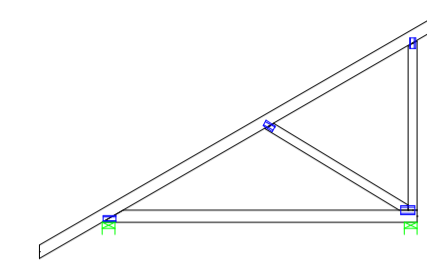
DUO



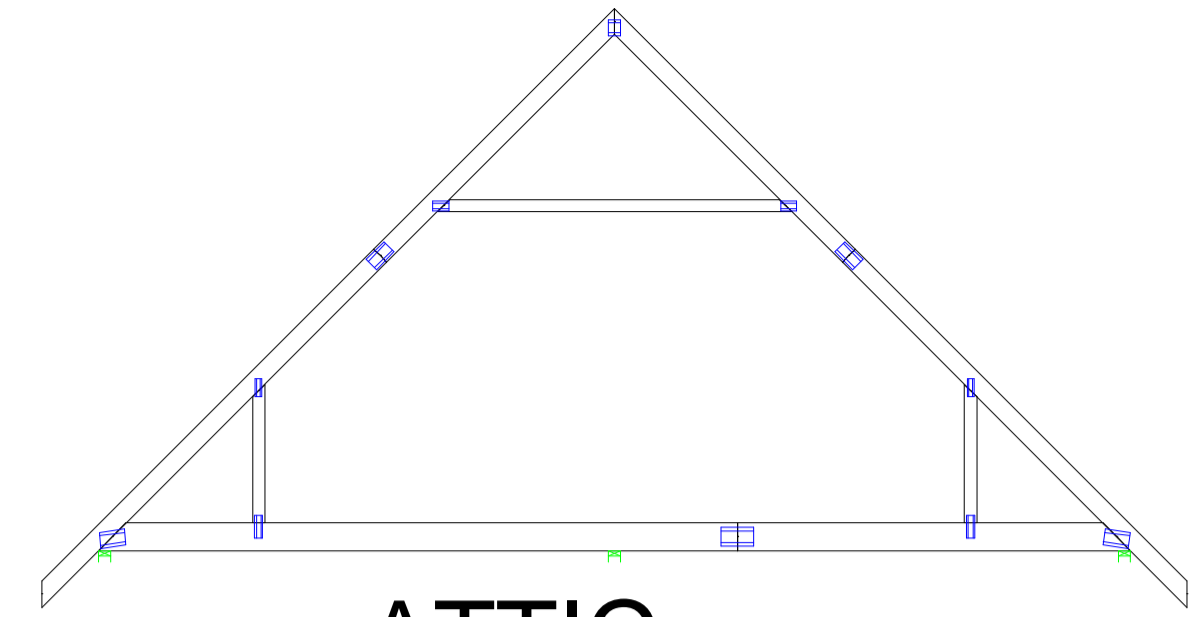
FINK



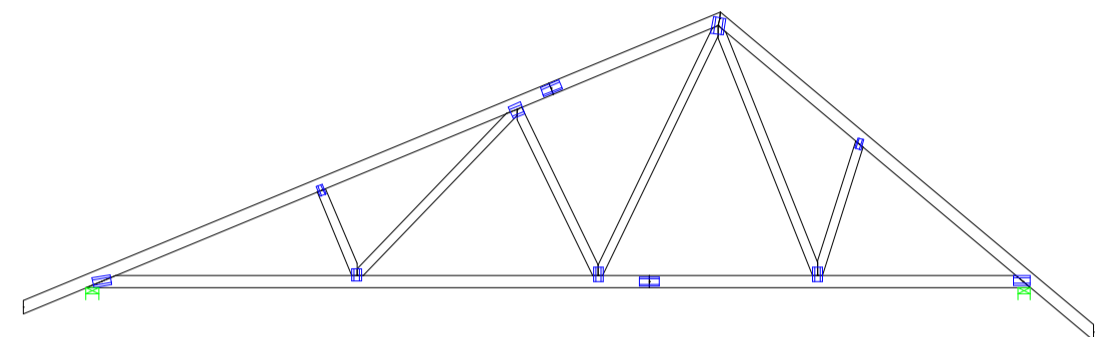
FAN



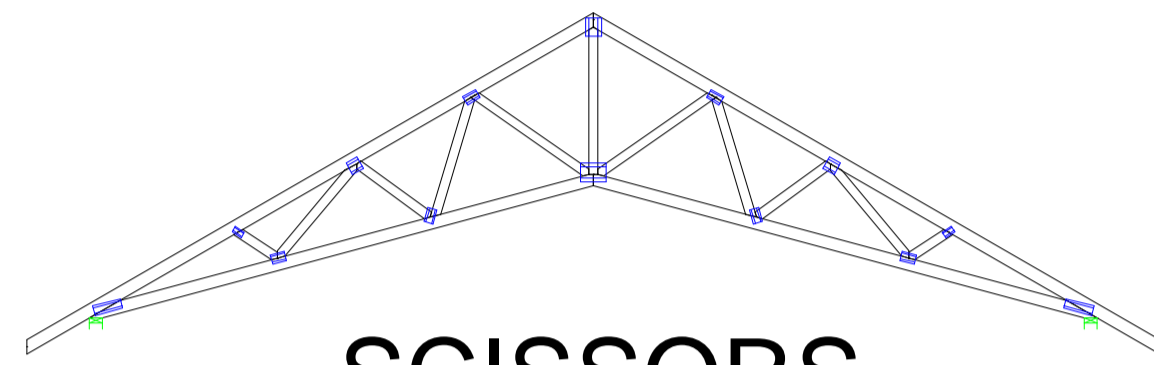
MONO



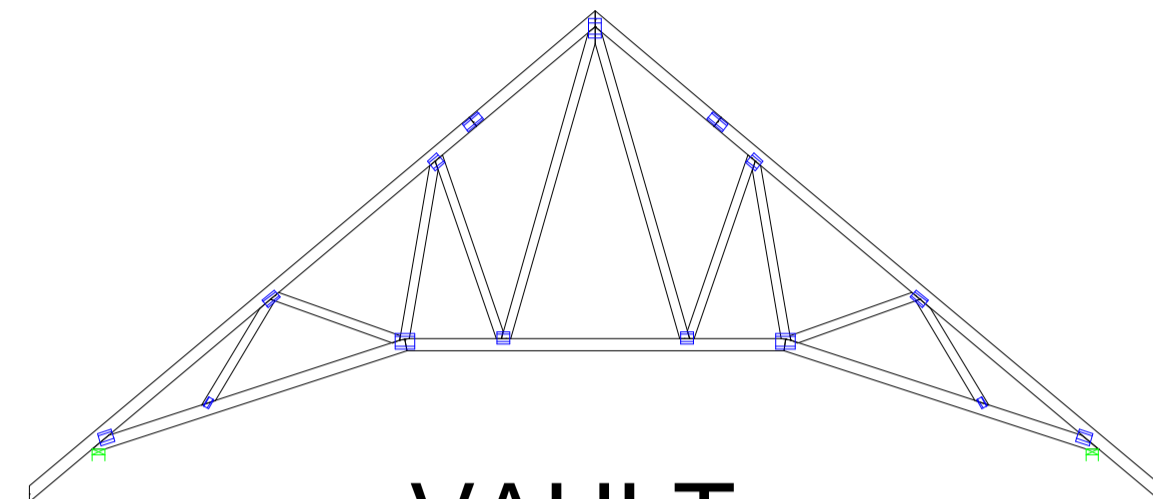
ATTIC



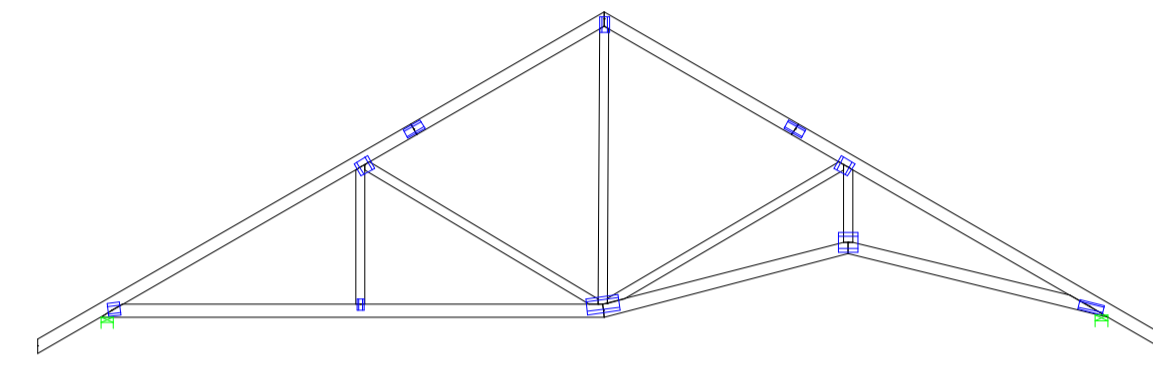
DUAL PITCH



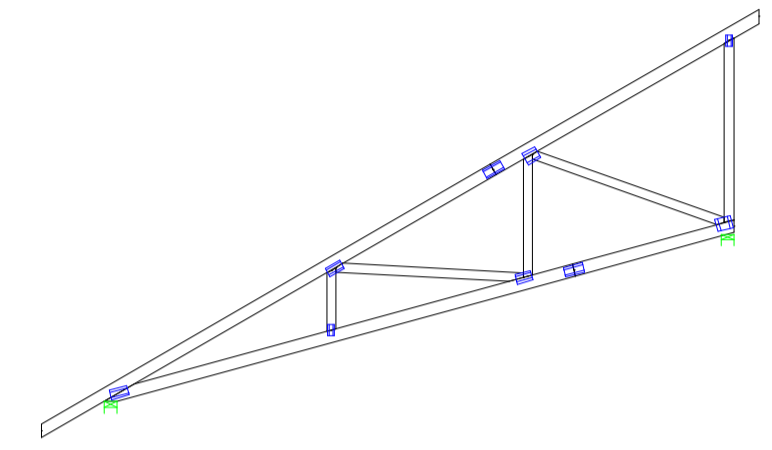
SCISSORS



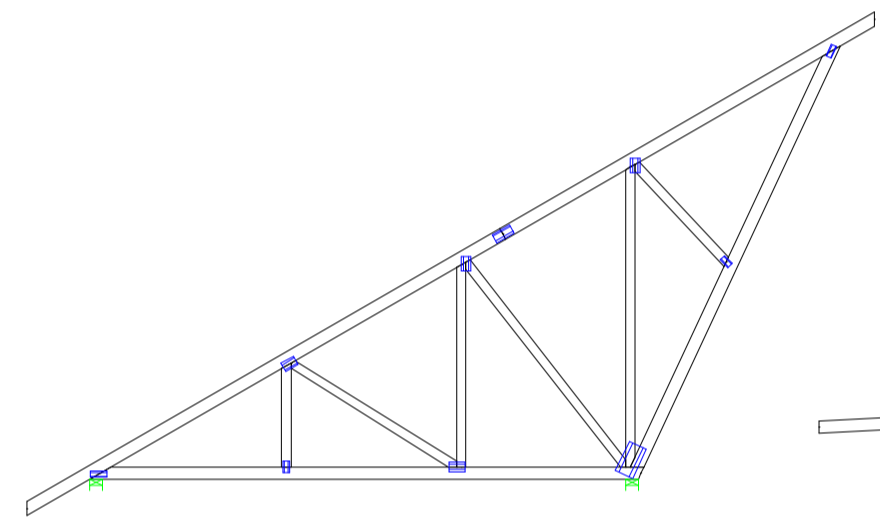
VAULT



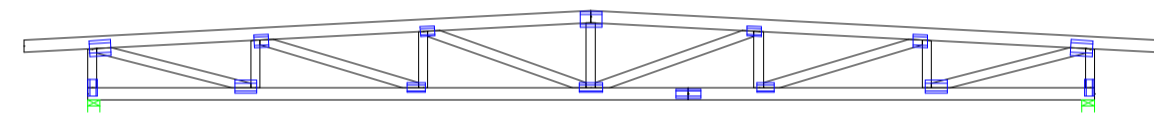
PART VAULT



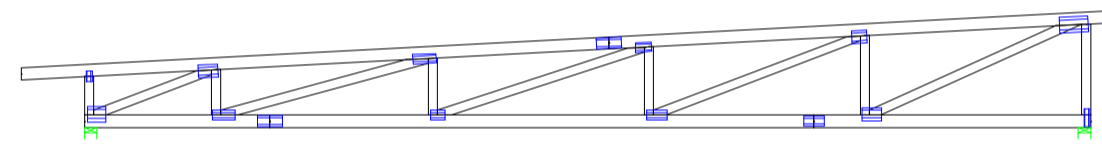
HALF SCISSORS



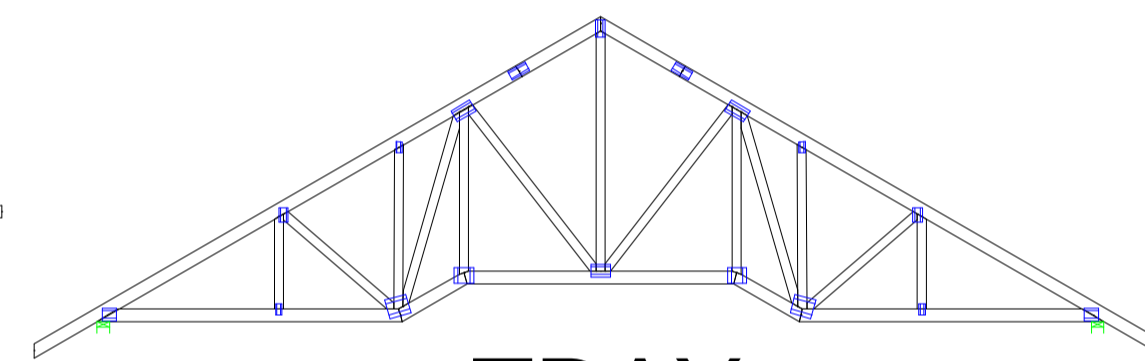
INVERTED



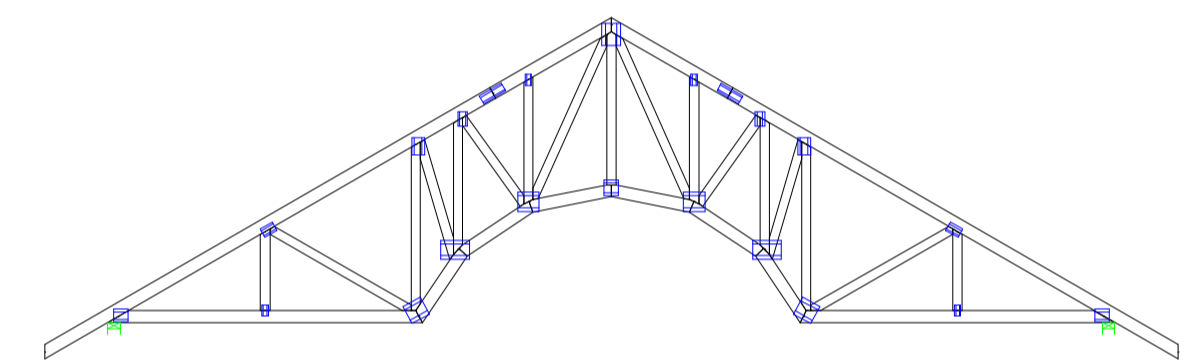
FLAT DUO SLOPE



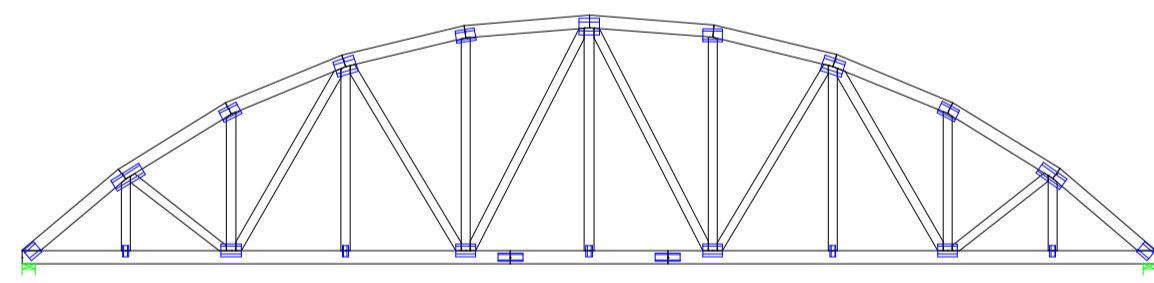
FLAT MONO SLOPE



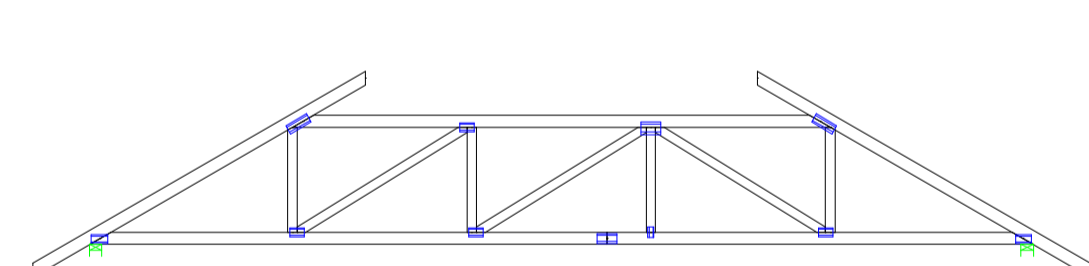
TRAY



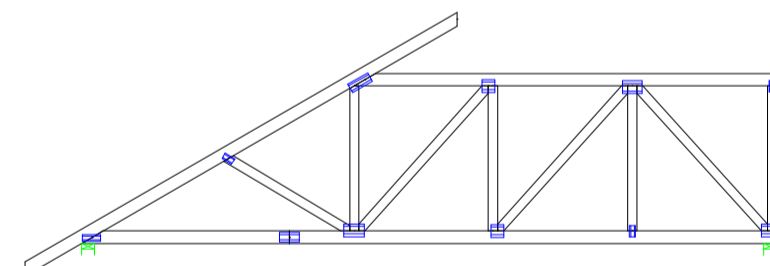
BARREL VAULT



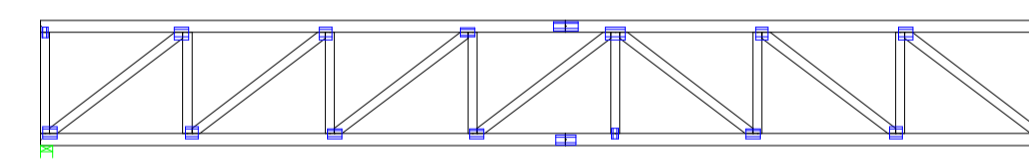
BOWSTRING



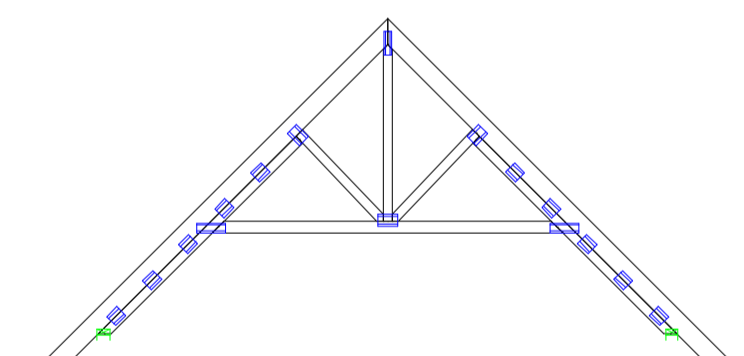
HIP



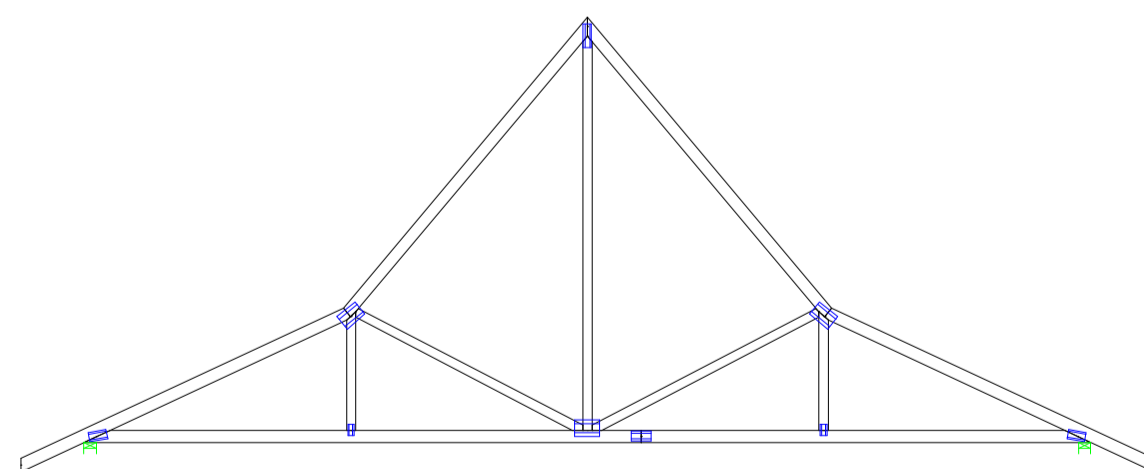
HIP CORNER



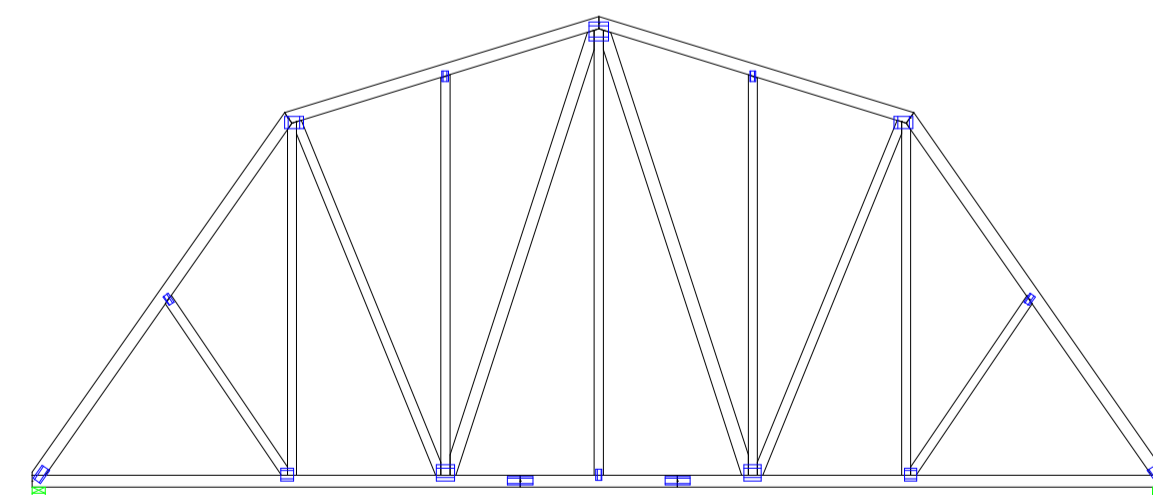
FLAT



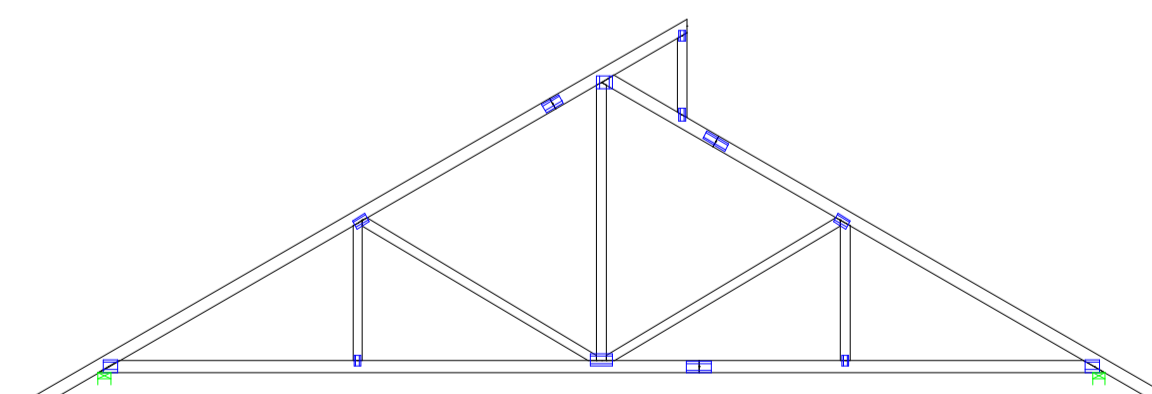
VAULTED



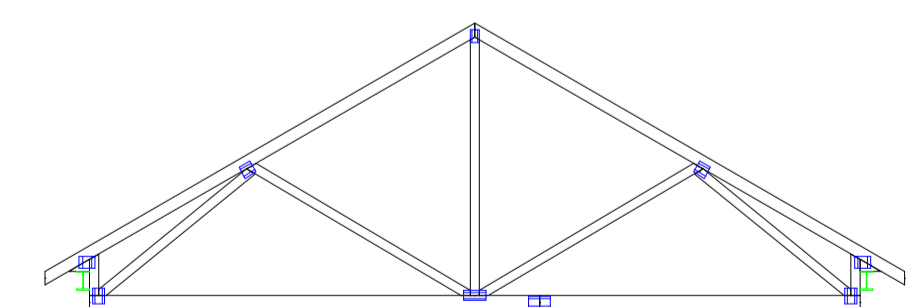
POLYNESIAN




GAMBREL



CLERESTORY



TOP HAT

		<small> Typical Truss Types, Munster Timber Structures, Tramore, Co. Waterford. </small>	
DRAWN DJH	CHECKED	JOB NO. 20181024	SCALE 1:60
Waterford		CODE TYPE NO.	DRAWING NUMBER 01